



## NJ 312 ECJ

- Popular item  
- SKF Explorer

### Cylindrical roller bearings, single row

#### Bearing data

##### Tolerances,

Normal (metric), P6, Normal (inch),

##### Radial internal clearance,

cylindrical bore, tapered bore,

##### Axial internal clearance,

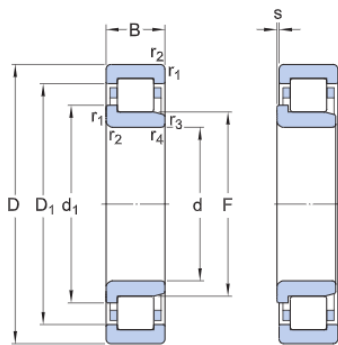
NUP, NJ + HJ

#### Bearing interfaces

##### Seat tolerances for standard conditions,

##### Tolerances and resultant fit

## Technical specification

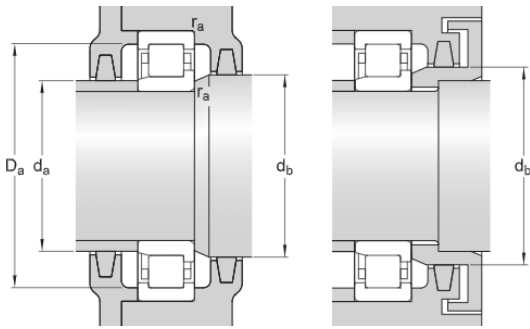


### DIMENSIONS

d	60 mm	Bore diameter
D	130 mm	Outside diameter
B	31 mm	Width
d1	≈84.3 mm	Shoulder diameter of inner ring
D1	≈108.6 mm	Shoulder diameter of outer ring
F	77 mm	Chamfer dimension of loose flange ring
r <sub>1,2</sub>	min.2.1 mm	Chamfer dimension
r <sub>3,4</sub>	min.2.1 mm	Chamfer dimension
s	max.2.1 mm	Permissible axial displacement

### ABUTMENT DIMENSIONS

da	min.72 mm	Diameter of spacer sleeve
da	max.74 mm	Diameter of spacer sleeve
db	min.87 mm	Diameter of shaft abutment
	max.118.1 mm	Diameter of



$D_a$	mm	housing abutment
$r_a$	max.2 mm	Radius of fillet

### CALCULATION DATA

Basic dynamic load rating	C	173 kN
Basic static load rating	$C_0$	160 kN
Fatigue load limit	$P_u$	21.2 kN
Reference speed		5 600 r/min
Limiting speed		6 700 r/min
Minimum load factor	$k_r$	0.15
Limiting value	e	0.2
Axial load factor	Y	0.6

### MASS

Mass	1.87 kg
------	---------

### ASSOCIATED PRODUCTS

Angle ring	HJ 312 EC
------------	-----------